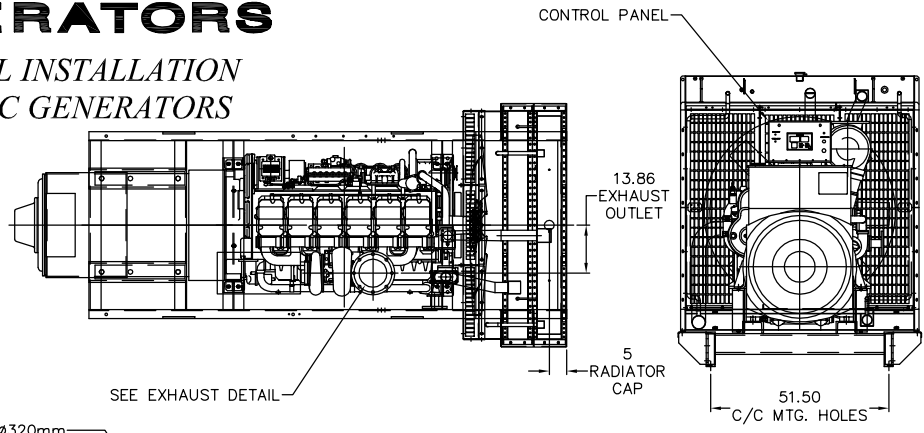


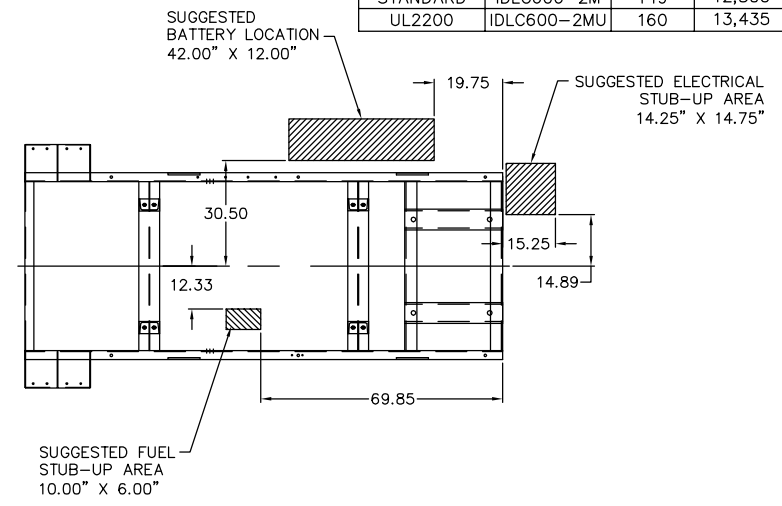
BALDOR GENERATORS

GENERAL INSTALLATION FOR IDLC GENERATORS

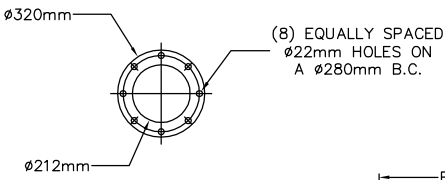
MODEL STYLE	MODEL #	OVERALL LENGTH L	WET WEIGHT (#) ±5%
STANDARD	IDLC600-2M	149	12,300
UL2200	IDLC600-2MU	160	13,435



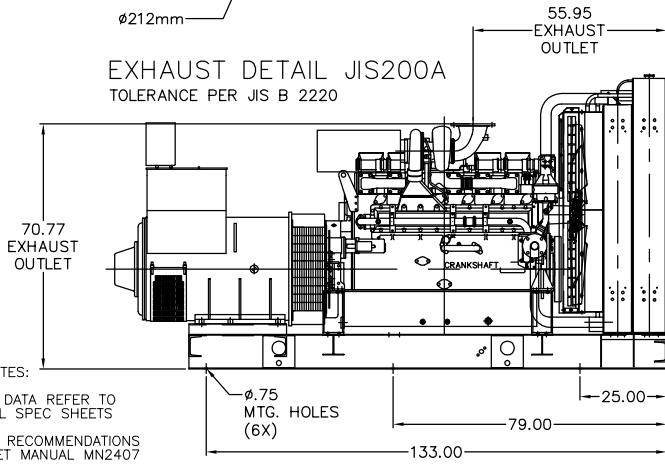
REAR VIEW



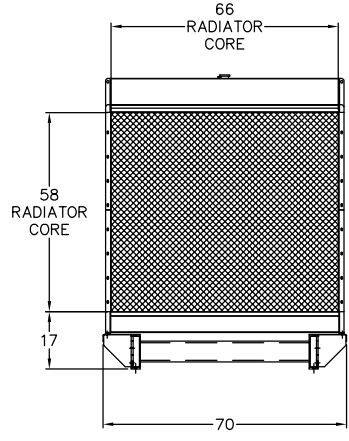
PLAN VIEW OF BASE ONLY



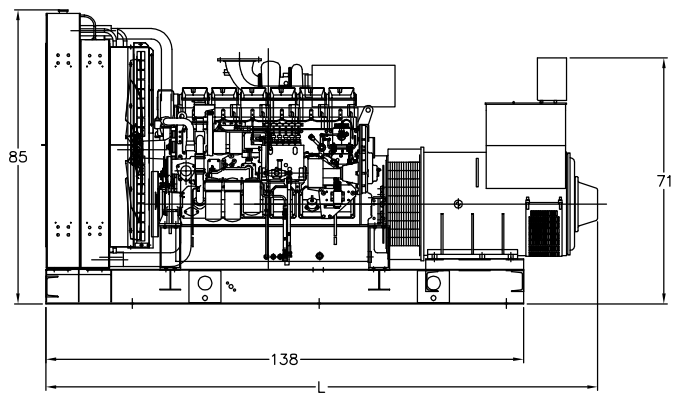
EXHAUST DETAIL JIS200A
TOLERANCE PER JIS B 2220



RIGHT VIEW



FRONT VIEW



LEFT VIEW

NOTES:
FOR PRODUCT DATA REFER TO BALDOR MODEL SPEC SHEETS
FOR INSTALLATION RECOMMENDATIONS REFER TO GEN SET MANUAL MN2407
ALL DIMENSIONS IN INCHES UNLESS SPECIFIED
ALL WEIGHTS IN POUNDS
DRAWING TO SCALE
TOLERANCES UNLESS OTHERWISE SPECIFIED
DECIMALS .XX ±.25 FRACTIONS ±1/4
WEIGHTS SHOWN ARE TYPICAL

REV. DESC: NEW	VERSION: 00	TDR: 000000456525
REV. LTR: -	REVISED: 08:57:55 05/28/2008	BY: PGMICB0
FILE: \PGA\00012\255	TAB: OPEN_600	
MTL: -		

BALDOR • DODGE • RELIANCE

IDLC 600-2000
SH 6 of 9